

15 April 2010



SCOTTISH WATER

419 Balmore Road
Glasgow
G22 6NU

T: 0141 355 5002
F: 0141 355 5386
W: www.scottishwater.co.uk

Useful diagrammatical guidelines for self lay work with reference to byelaws requirements.

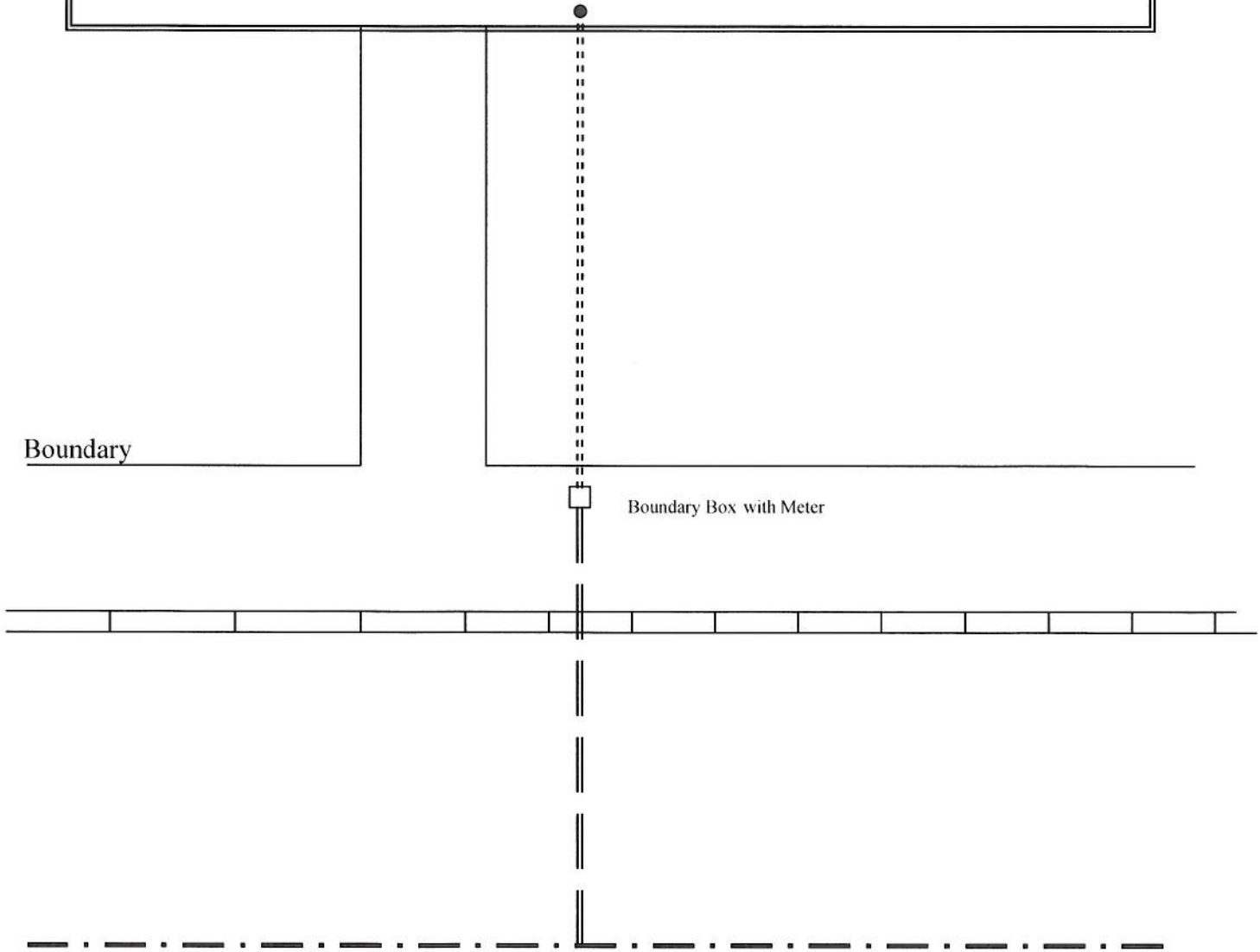
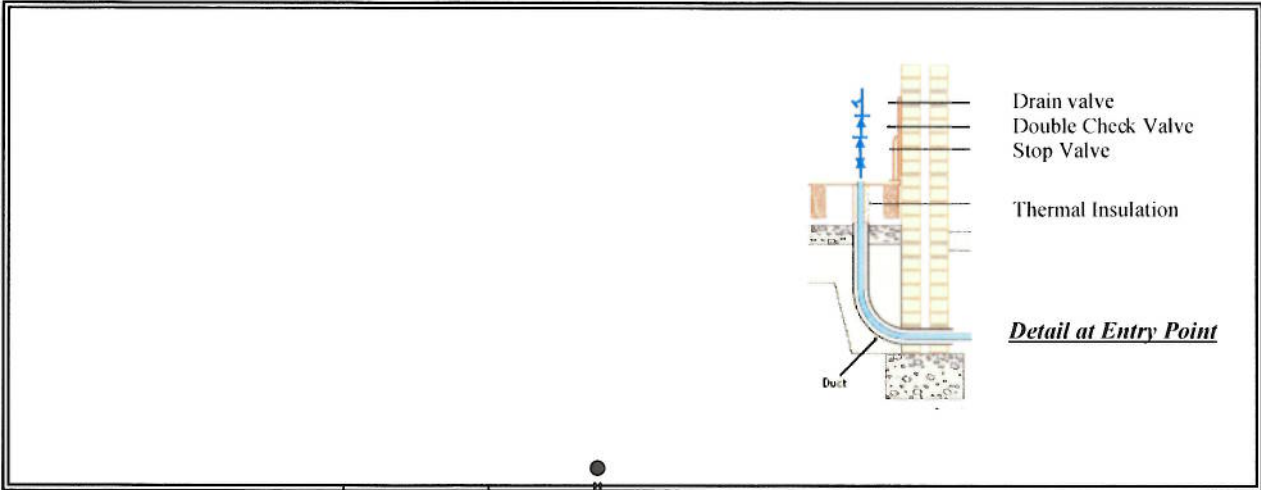
Please note that the following diagrams and supporting notes are guidelines only. Each site may have its own unique circumstances and as such advice should be sought from relevant Technical Advisors and Quality Control Advisors for each area.

In the diagrams presented, where the term "suitable chamber" is used this should be taken to mean that the chamber is suitable to allow inspection and replacement without the need to excavate the area. (for example, access to certain valves and flanges may dictate that the chamber is large enough to allow an operator to enter the chamber.)

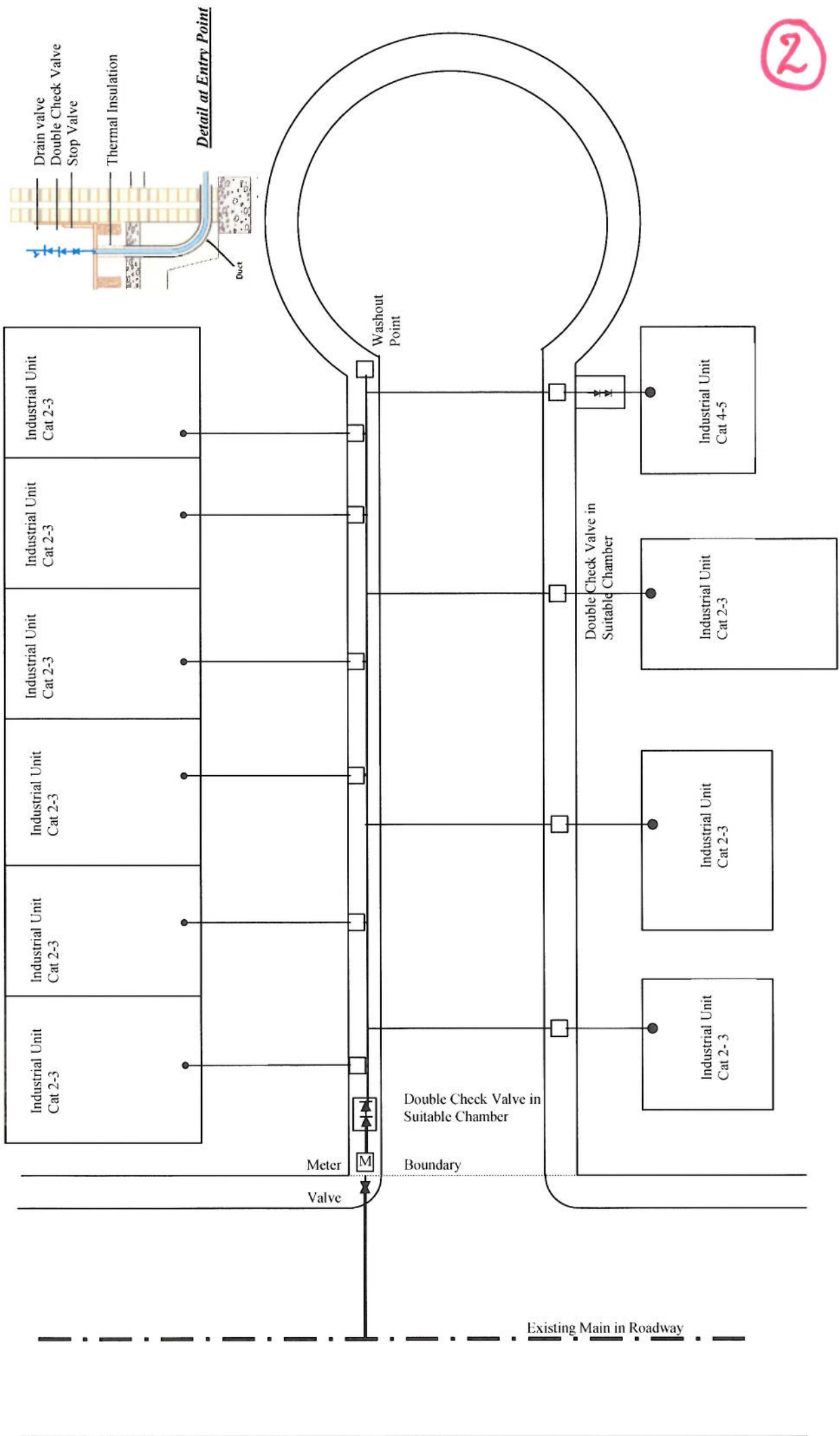
All valves used in backflow prevention should be of the spring loaded type as indicated in "The Water Regulations Guide 2nd Edition" (published by WRAS). Reflux valves are not suitable for this purpose.

All properties should have a double check valve installed on the supply pipe, usually inside the premises. (See page 1). When dealing with fluid categories 4 and 5 additional protection will be required. This should be discussed prior to installation work proceeding. (See example on page 2).

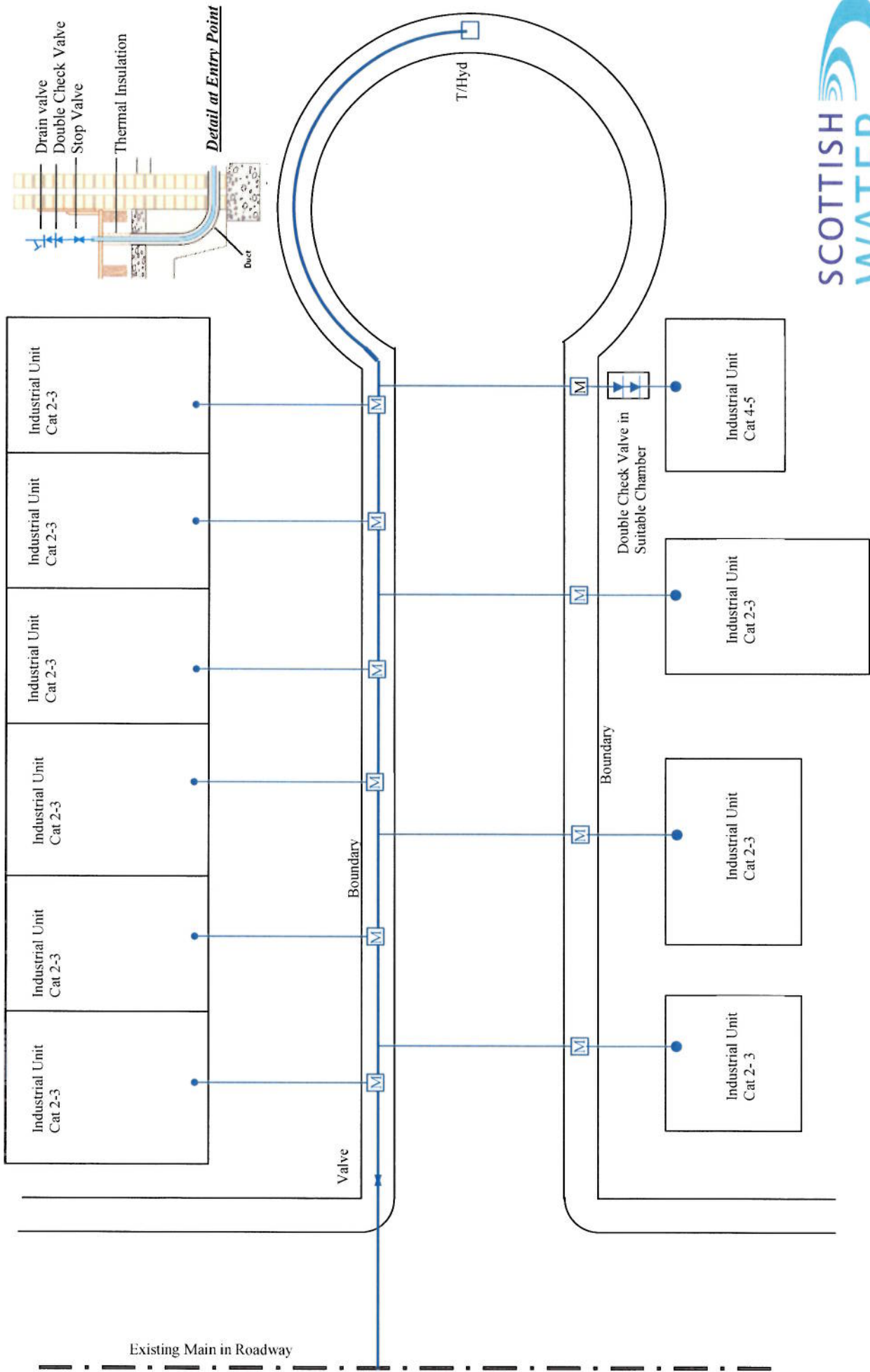
Where a fire main and a water main are laid in the same track, the fire main should have identification tape wrapped around it (see letter **13/03/08** "Marking/ Identification of Fire Mains"). Where this is not possible, it may be acceptable to secure the identification tape to the top of the main by means of cable ties, tie wraps, etc., but this should be confirmed beforehand with the relevant QCA or Byelaws Inspector.



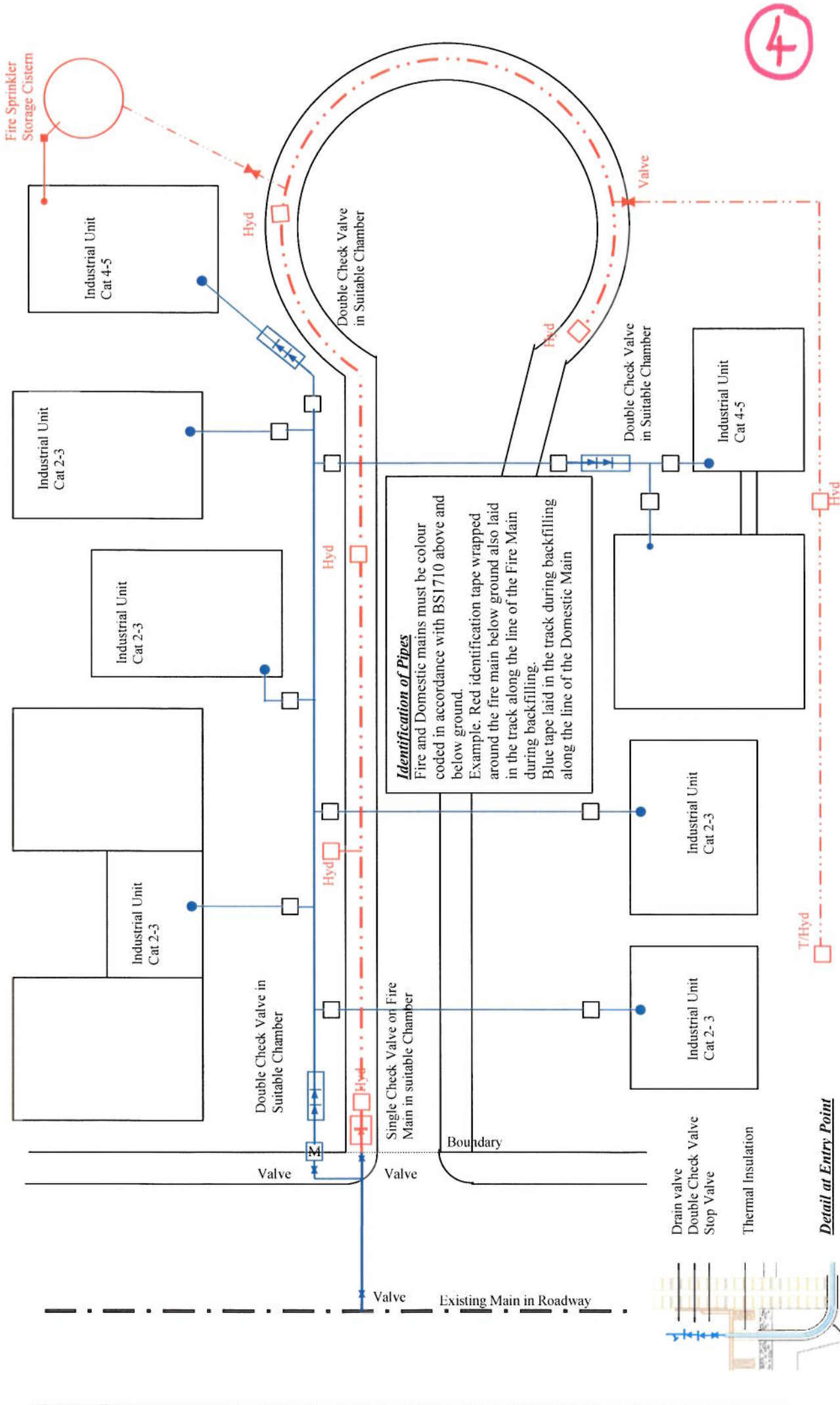
Typical Detail Showing Full Site Protection for Category 1,2,3, Premises



Typical Non-Adopted Mains Layout with Full Site Protection at Boundary

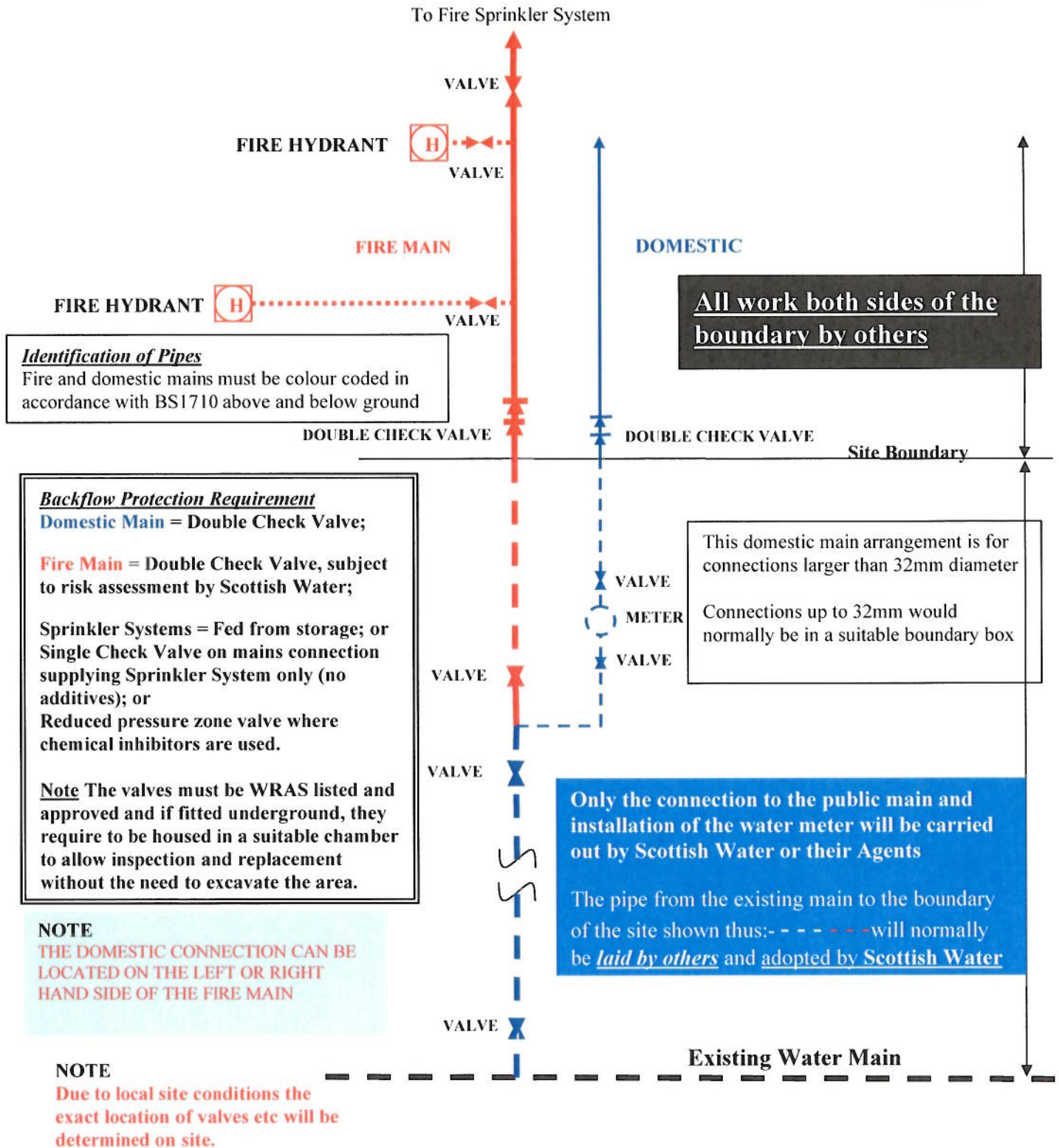


Typical Adopted Mains Layout with Full Site Protection at Point of Entry in Each Unit for Fluid Category 1,2, or 3



Typical Non-Adopted Mains Layout with Full Site Protection at Boundary

Water Connections Fire and Domestic



TYPICAL FIRE AND DOMESTIC MAINS ARRANGEMENT